

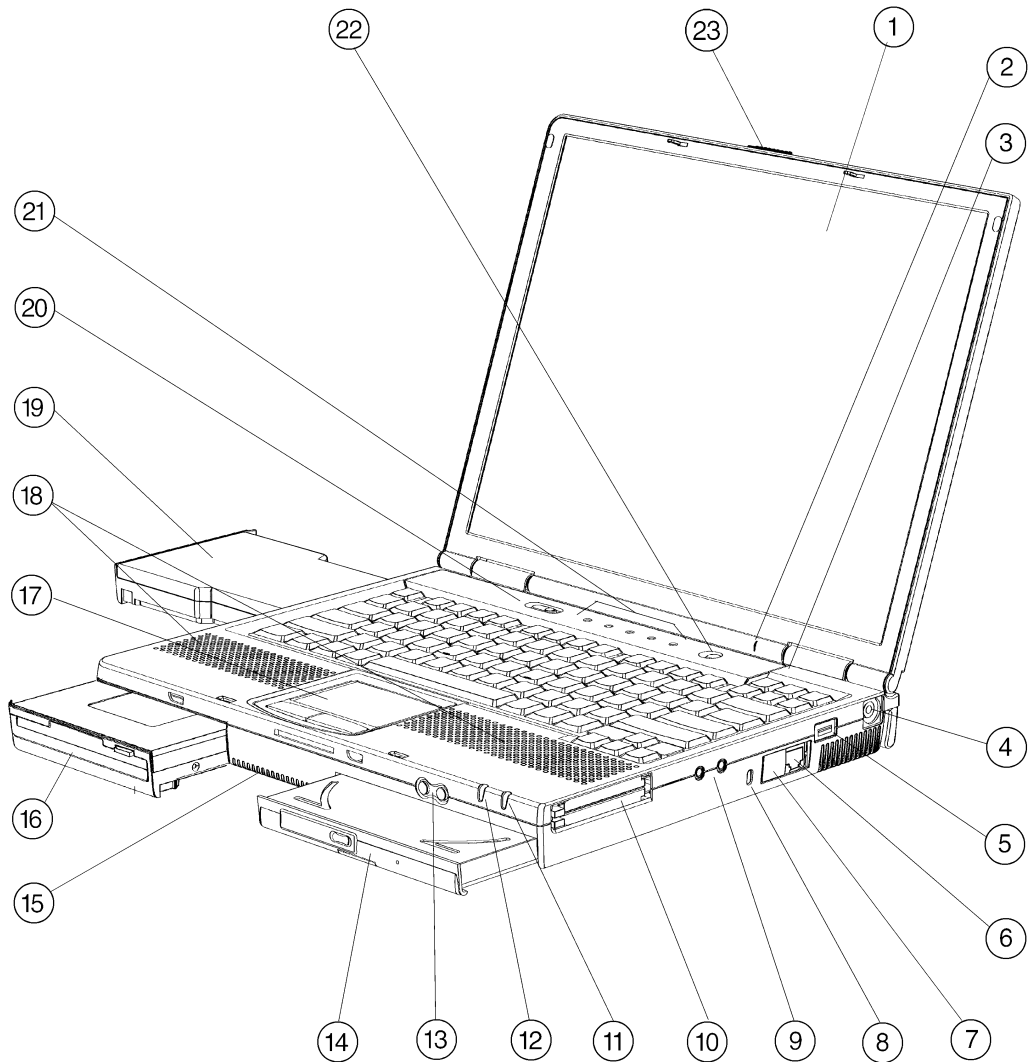
## Overview

### WHAT'S NEW

- Intel Mobile Pentium® III and Mobile Celeron® processors
- 4 Easy Access Internet buttons
- Armada E and M Common Preinstalled Software

### AT A GLANCE

- Intel Mobile Pentium® III processor up to 700MHz in standard configurations
- Up to 15.0" TFT 1024 x 768 display
- All-in-One 3-spindle design
- As little as 5.7 lbs and 1.6 inches thin
- Choice of Windows 2000/Windows NT Workstation 4.0 (Dual Install) available in Q3, 2000 or Windows 98/95 (Dual Install)
- Integrated Mini PCI modem
- Full-size keyboard
- User removable hard drive
- Up to Three internal batteries
- Enterprise docking solutions
- 8 MB Video SDRAM
- Protected by a One-year, Worldwide Limited Warranty — Certain restrictions and exclusions apply. Consult the Compaq Customer Support Center for details.



- |   |   |
|---|---|
| 1. Color display                                  | 14. Common Armada MultiBay (supports second Hard Drive, SuperDisk 2X LS-120, third Battery, 24X CD-ROM or 8X DVD-ROM) |
| 2. Microphone                                     | 15. Primary Hard Drive (under the Unit)   |
| 3. Lid Switch                                     | 16. Dual Bay (floppy or second Primary Battery)   |
| 4. TV/Video out (NTSC/PAL)                        | 17. Touch Pad   |
| 5. Infrared Transceiver                           | 18. Stereo Speakers   |
| 6. Integrated RJ-11 Jack, 56K V.90 mini PCI modem | 19. Primary Battery   |
| 7. RJ-45 Ethernet Port on select models           | 20. Power Switch  |
| 8. Cable Lock Connector                           | 21. Status LEDs   |
| 9. Microphone Jack/Headphone Jack                 | 22. Suspend Button  |
| 10. PC Card Slots (2)                             | 23. Display Latch   |
| 11. Battery Power Light                           | 24. Easy Access Internet Buttons (not shown)  |
| 12. AC Power Light/Standby                        |   |
| 13. Volume control / mute                         |   |

## Standard Features

### MODELS

**Armada E500**  
Available in multiple configurations

#### Processor – One of the following:

Mobile Pentium III processor 700 MHz featuring Intel SpeedStep™ technology  
Mobile Pentium III processor 650 MHz featuring Intel SpeedStep™ technology  
Mobile Pentium III processor 600 MHz featuring Intel SpeedStep™ technology  
Mobile Celeron processor 550 MHz

#### Cache Memory

256K Integrated on Intel Mobile Pentium® III processors  
128K Integrated on Intel Mobile Celeron® III processors

#### Memory

Standard 64 MB 100 MHz SDRAM  
Maximum 512 MB 100 MHz SDRAM

#### Integrated Communications

Compaq Global Mini PCI 56K (V.90) Modem Type II Mini PCI  
Compaq 56K (V.90) plus Intel® PRO/100+ Type II Mini PCI

**Note:** Select models of the Armada E500 ship standard with a Compaq Global Mini PCI 56K (V.90) Modem Type II Mini PCI or with a Compaq 56K (V.90) plus Intel® PRO/100+ Type II Mini PCI.

**Note:** Designed only to allow faster downloads from v.90 compliant sources. Maximum achievable download transmission rates currently do not reach 56 KB/s, and will vary with line conditions. Modem only supports Windows 9.x and Windows NT 4.0.

#### Keyboard

102-key compatible keyboard with isolated, inverted-T cursor control keys, and right-control key, special feature hotkeys for instant access to power conservation, QuickLock / QuickBlank (ex: FN+F6), toggle between internal and external, or simultaneous displays, battery gauge, speaker volume control, brightness and contrast. Integrated Euro symbol key on select models.

4 Easy Access Internet buttons to quickly browse the Internet, your corporate intranet or your email.

#### Pointing Device

Touchpad with integrated pick buttons / "Double Tap" mouse-like buttons

#### PC Card Slots

Two Type II/One Type III PC Card Slot(s) which support both 32-bit Card Bus (Full support in Windows 9.x.) and 16-bit PC Cards; zoomed video support in bottom slot

#### Storage

Diskette Drives 1.44 MB  
Optical Drives 24X Max CD-ROM Drive (IDE) or 4X or 8X DVD Drive (IDE)  
Hard Drives One of the following:  
12-GB SMART  
6-GB SMART  
5-GB SMART

#### Multimedia

Compaq Premier•Sound™ for enhanced stereo audio  
Integrated 16-bit Sound Blaster Pro-compatible stereo audio  
Integrated stereo speakers and microphone  
Software/hardware volume control  
Headphone out jack  
Microphone in jack  
Software MPEG1 support  
Standard 4X or 8X DVD-ROM Drive with DVD movie playback software, MPEG2 Support on select models  
Standard Internal 24X Max CD-ROM Drive on select models  
RCA Composite TV-out port  
2X AGP graphics  
8 MB SDRAM

---

## Standard Features

---

### Interfaces

PC Card	Two Type II/One Type III
Enhanced Parallel EPP/ECP	1
Serial	1
TV out connector NTSL/PAL	1
External Monitor	1
External Keyboard/ Pointing Device	1
Expansion Base	1
Headphone/Line-out	1
Microphone in	1
DC Power	1
RJ-11 (modem)	1
RJ-45 (NIC)	1 (model dependent)
Infrared	1 (4 Mb/s support) (IrDA 4 MB compliant. IR performance will vary depending on performance of IR peripherals and application used.)
USB	1
LED status indicators	7

---

### Graphics

64-bit video graphics with 8-MB SDRAM for increased color depth and graphics performance  
External refresh up to 100Hz @ 1280x1024 with up to 4.3B colors  
External refresh up to 85Hz @ 1600x1200 with up to 16.7M colors

---

### Display – One of the following:

15.0-inch color TFT XGA with 1024 x 768 resolution (up to 16.7M colors internal)  
14.1-inch color TFT XGA with 1024 x 768 resolution (up to 16.7M colors internal)  
13.3-inch color TFT XGA with 1024 x 768 resolution (up to 16.7M colors internal)

---

### Operating System – One of the following:

Windows 2000/Windows NT Workstation 4.0 (Dual-Install)  
(End user must make a one-time selection between Windows 2000 and Windows NT 4.0. If end user desires rejected product(s) after selection is made, end user must acquire and pay for rejected product(s) separately.)  
Windows 98/Windows 95 (Dual Install)  
(End user must make a one-time selection between Windows 98 and Windows 95. If end user desires rejected product(s) after selection is made, end user must acquire and pay for rejected product(s) separately.)

---

### Software – One of the following:

Insight Management Agents  
Intelligent Manageability  
Security 32  
Diagnostics for Windows NT or 9.x  
Compaq Power Management  
Online Safety and Comfort Guide  
Reference Guide  
Acrobat Reader

---

### System Recovery

Each unit is shipped with a CD kit for Quick recovery (erases everything and installs the OS like new) and software recovery (installs only selected standard software)

---

### Intelligent Manageability

Lowers total cost of ownership by providing enhanced security, asset management, fault prediction with SMART drives

## Standard Features

### Security

---

- Configuration Control Hardware
- Memory Change Alert
- Ownership Tag
- Setup Password
- Power-On Password
- DriveLock
- QuickLock
- QuickBlank
- Enabled for PC SmartCard options

### Power Supply

---

External AC adapter; 6-foot power cord included. Total length including External AC adapter is 12 feet

### Battery

---

6 or 9-cell Li-Ion battery is provided, depending on model. Battery life of the Pentium III 650-MHz model using the 9-cell battery is over 3.5 hours, based on standard configuration used. Battery life using an additional 9-cell battery in Dualbay is up to 8 hours. Maximum battery life up to 10 hours using a 9-cell battery in the Primary and Dualbay along with a 6-Cell battery in the MultiBay.

**Note:** Actual results may vary with individual usage. When tested in standard configuration, using Ziff-Davis BatteryMark Test version 3.0, the battery life of the Armada E500 will range up to 4.03 hours. Standard configuration is considered to be one battery, a 14" 1024 x 768 x 16 bit color panel set at 50% brightness, Win98, 64 MB RAM, 6 GB HDD, and no other drives other than the hard drive active.

**Note:** Actual results may vary with individual usage. When tested in standard configuration, using Ziff-Davis BatteryMark Test version 3.0, the battery life of the Armada E500 will range up to 3.5 hours. Standard configuration is considered to be one battery, a 15" 1024 x 768 x 16 bit color panel set at 50% brightness, Win98, 64 MB RAM, 12 GB HDD, and no other drives other than the hard drive active.

### Power Conservation

---

- Hibernation
- Instant-On via Standby
- Pop-ups with three presets
- One custom level of power conservation
- ACPI compliant

### MultiBay Devices

---

Under Windows 2000, Windows 9.x, and Windows NT Workstation 4.0  
Supports Hot Swapping: CD-ROM, DVD-ROM, MultiBay Battery  
Need to Reboot: Secondary Hard Drive, 2X LS-120

### DualBay Devices

---

Under Windows 9.x and Windows NT Workstation 4.0  
Supports Hot Swapping: Floppy, Primary battery

### Service and Support

---

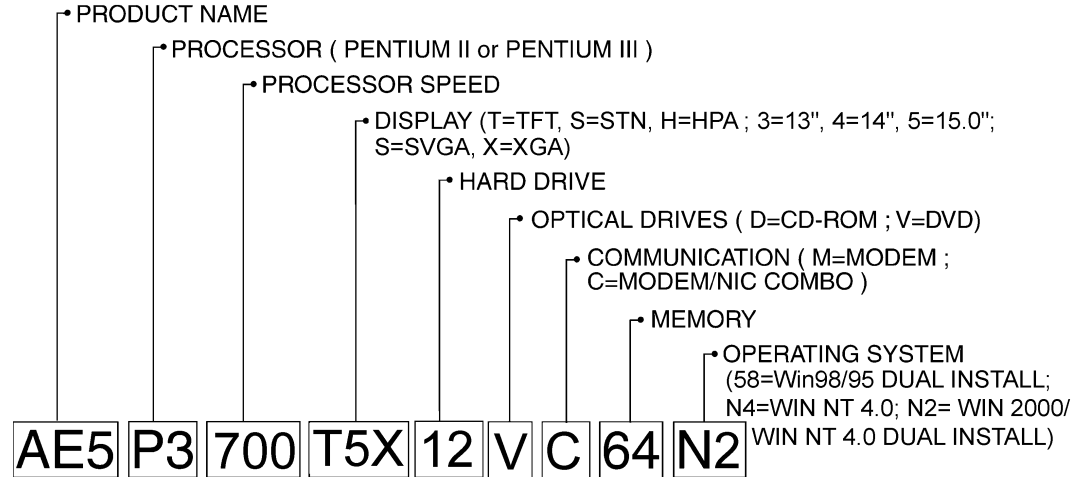
Compaq Services includes a One-year, Worldwide Limited Warranty, pick-up or carry-in, upgrade to on-site warranty or additional two-year warranty available; toll-free 7 x 24 hardware technical phone support.

**Note:** Certain restrictions and exclusions apply. Consult the Compaq Customer Support Center for details.

## Standard Features

### Naming Convention

The Etymology of a Model Name:



# QUICKSPECS

Compaq Armada E500

## Standard Features

### Models

AE5 P3700T5X12VC6458  
174519-001

<b>Display</b>	15.0-inch color TFT XGA	<b>Optical Drive</b>	8X DVD-ROM Drive IDE
<b>Processor</b>	Intel Pentium III 700-MHz	<b>Hard Drive</b>	12-GB SMART
<b>Cache Memory</b>	256-KB integrated	<b>Modem</b>	Mini-PCI v.90 modem / 10/100 TX NIC Combo
<b>Memory</b>		<b>Graphics</b>	64-bit video graphics with 8-MB SDRAM
Standard	64 MB	<b>Audio</b>	Compaq Premier•Sound™
Maximum	512 MB	<b>Software</b>	Windows 98SE/95 (Dual Install)
		<b>Battery</b>	9-cell Lilon

AE5 P3700T5X12VC64N2  
174519-008

<b>Display</b>	15.0-inch color TFT XGA	<b>Optical Drive</b>	8X DVD-ROM Drive IDE
<b>Processor</b>	Intel Pentium III 700-MHz	<b>Hard Drive</b>	12-GB SMART
<b>Cache Memory</b>	256-KB integrated	<b>Modem</b>	Mini-PCI v.90 modem / 10/100 TX NIC Combo
<b>Memory</b>		<b>Graphics</b>	64-bit video graphics with 8-MB SDRAM
Standard	64 MB	<b>Audio</b>	Compaq Premier•Sound™
Maximum	512 MB	<b>Software</b>	Windows 2000/Windows NT 4.0 (Dual Install)
		<b>Battery</b>	9-cell Lilon

AE5 P3700T4X12DC6458  
179849-001

<b>Display</b>	14.1-inch color TFT XGA	<b>Optical Drive</b>	24X Max CD-ROM Drive IDE
<b>Processor</b>	Intel Pentium III 700-MHz	<b>Hard Drive</b>	12-GB SMART
<b>Cache Memory</b>	256-KB integrated	<b>Modem</b>	Mini-PCI v.90 modem / 10/100 TX NIC Combo
<b>Memory</b>		<b>Graphics</b>	64-bit video graphics with 8-MB SDRAM
Standard	64 MB	<b>Audio</b>	Compaq Premier•Sound™
Maximum	512 MB	<b>Software</b>	Windows 98SE/95 (Dual Install)
		<b>Battery</b>	9-cell Lilon

AE5 P3700T4X12DC6458  
179849-008

<b>Display</b>	14.1-inch color TFT XGA	<b>Optical Drive</b>	24X Max CD-ROM Drive IDE
<b>Processor</b>	Intel Pentium III 700-MHz	<b>Hard Drive</b>	12-GB SMART
<b>Cache Memory</b>	256-KB integrated	<b>Modem</b>	Mini-PCI v.90 modem / 10/100 TX NIC Combo
<b>Memory</b>		<b>Graphics</b>	64-bit video graphics with 8-MB SDRAM
Standard	64 MB	<b>Audio</b>	Compaq Premier•Sound™
Maximum	512 MB	<b>Software</b>	Windows 2000/Windows NT 4.0 (Dual Install)
		<b>Battery</b>	9-cell Lilon

# QUICKSPECS

Compaq *Armada* E500

## Standard Features

AE5 P3650T4X12VM6458  
161609-001

<b>Display</b>	14.1-inch color TFT XGA	<b>Optical Drive</b>	8X DVD-ROM Drive IDE
<b>Processor</b>	Intel Pentium III 650-MHz	<b>Hard Drive</b>	12-GB SMART
<b>Cache Memory</b>	256-KB integrated	<b>Modem</b>	Mini-PCI v.90 modem
<b>Memory</b>		<b>Graphics</b>	64-bit video graphics with 8-MB SDRAM
Standard	64 MB	<b>Audio</b>	Compaq <i>Premier•Sound™</i>
Maximum	512 MB	<b>Software</b>	Windows 98SE/95 (Dual Install)
		<b>Battery</b>	9-cell Lilon

AE5 P3650T4X12VM64N2  
161609-008

<b>Display</b>	14.1-inch color TFT XGA	<b>Optical Drive</b>	8X DVD-ROM Drive IDE
<b>Processor</b>	Intel Pentium III 650-MHz	<b>Hard Drive</b>	12-GB SMART
<b>Cache Memory</b>	256-KB integrated	<b>Modem</b>	Mini-PCI v.90 modem
<b>Memory</b>		<b>Graphics</b>	64-bit video graphics with 8-MB SDRAM
Standard	64 MB	<b>Audio</b>	Compaq <i>Premier•Sound™</i>
Maximum	512 MB	<b>Software</b>	Windows 2000/Windows NT 4.0 (Dual Install)
		<b>Battery</b>	9-cell Lilon

AE5 P3650T4X12VC6458  
164764-001

<b>Display</b>	14.1-inch color TFT XGA	<b>Optical Drive</b>	8X DVD-ROM Drive IDE
<b>Processor</b>	Intel Pentium III 650-MHz	<b>Hard Drive</b>	12-GB SMART
<b>Cache Memory</b>	256-KB integrated	<b>Modem</b>	Mini-PCI v.90 modem / 10/100 TX NIC Combo
<b>Memory</b>		<b>Graphics</b>	64-bit video graphics with 8-MB SDRAM
Standard	64 MB	<b>Audio</b>	Compaq <i>Premier•Sound™</i>
Maximum	512 MB	<b>Software</b>	Windows 98SE/95 (Dual Install)
		<b>Battery</b>	9-cell Lilon

AE5 P3650T4X12VC64N2  
164764-008

<b>Display</b>	14.1-inch color TFT XGA	<b>Optical Drive</b>	8X DVD-ROM Drive IDE
<b>Processor</b>	Intel Pentium III 650-MHz	<b>Hard Drive</b>	12-GB SMART
<b>Cache Memory</b>	256-KB integrated	<b>Modem</b>	Mini-PCI v.90 modem / 10/100 TX NIC Combo
<b>Memory</b>		<b>Graphics</b>	64-bit video graphics with 8-MB SDRAM
Standard	64 MB	<b>Audio</b>	Compaq <i>Premier•Sound™</i>
Maximum	512 MB	<b>Software</b>	Windows 2000/Windows NT 4.0 (Dual Install)
		<b>Battery</b>	9-cell Lilon

# QUICK SPECS

Compaq Armada E500

## Standard Features

AE5 P3600T4X12DM6458  
161607-001

<b>Display</b>	14.1-inch color TFT XGA	<b>Optical Drive</b>	8X Max CD-ROM Drive IDE
<b>Processor</b>	Intel Pentium III 600-MHz	<b>Hard Drive</b>	12-GB SMART
<b>Cache Memory</b>	256-KB integrated	<b>Modem</b>	Mini-PCI v.90 modem
<b>Memory</b>		<b>Graphics</b>	64-bit video graphics with 8-MB SDRAM
Standard	64 MB	<b>Audio</b>	Compaq Premier•Sound™
Maximum	512 MB	<b>Software</b>	Windows 98SE/95 (Dual Install)
		<b>Battery</b>	9-cell Lilon

AE5 P3600T4X12DM64N2  
161607-008

<b>Display</b>	14.1-inch color TFT XGA	<b>Optical Drive</b>	8X Max CD-ROM Drive IDE
<b>Processor</b>	Intel Pentium III 600-MHz	<b>Hard Drive</b>	12-GB SMART
<b>Cache Memory</b>	256-KB integrated	<b>Modem</b>	Mini-PCI v.90 modem
<b>Memory</b>		<b>Graphics</b>	64-bit video graphics with 8-MB SDRAM
Standard	64 MB	<b>Audio</b>	Compaq Premier•Sound™
Maximum	512 MB	<b>Software</b>	Windows 2000/Windows NT 4.0 (Dual Install)
		<b>Battery</b>	9-cell Lilon

AE5 P3600T3X6DM6458  
179845-001

<b>Display</b>	13.3-inch color TFT XGA	<b>Optical Drive</b>	24X Max CD-ROM Drive IDE
<b>Processor</b>	Intel Pentium III 600-MHz	<b>Hard Drive</b>	6-GB SMART
<b>Cache Memory</b>	256-KB integrated	<b>Modem</b>	Mini-PCI v.90 modem
<b>Memory</b>		<b>Graphics</b>	64-bit video graphics with 8-MB SDRAM
Standard	64 MB	<b>Audio</b>	Compaq Premier•Sound™
Maximum	512 MB	<b>Software</b>	Windows 98SE/95 (Dual Install)
		<b>Battery</b>	9-cell Lilon

AE5 P3600T3X6DM64N2  
179845-008

<b>Display</b>	13.3-inch color TFT XGA	<b>Optical Drive</b>	24X Max CD-ROM Drive IDE
<b>Processor</b>	Intel Pentium III 600-MHz	<b>Hard Drive</b>	6-GB SMART
<b>Cache Memory</b>	256-KB integrated	<b>Modem</b>	Mini-PCI v.90 modem
<b>Memory</b>		<b>Graphics</b>	64-bit video graphics with 8-MB SDRAM
Standard	64 MB	<b>Audio</b>	Compaq Premier•Sound™
Maximum	512 MB	<b>Software</b>	Windows 2000/Windows NT 4.0 (Dual Install)
		<b>Battery</b>	9-cell Lilon



# QUICKSPECS

Compaq *Armada* E500

---

## *Standard Features*

AE5 C1550T3X5D6458  
196665-001

<b>Display</b>	13.3-inch color TFT XGA	<b>Optical Drive</b>	24X Max CD-ROM Drive IDE
<b>Processor</b>	Intel Celeron 550-MHz	<b>Hard Drive</b>	5-GB SMART
<b>Cache Memory</b>	128-KB integrated	<b>Modem</b>	None
<b>Memory</b>		<b>Graphics</b>	64-bit video graphics with 8-MB SDRAM
Standard	64 MB	<b>Audio</b>	Compaq <i>Premier•Sound™</i>
Maximum	512 MB	<b>Software</b>	Windows 98SE/95 (Dual Install)
		<b>Battery</b>	6-cell Lilon

---

## Options

### Memory

256-MB Memory Upgrade (Due to the non-industry standard nature of some third-party 256 MB Memory modules, we strongly recommend using only Compaq branded 256 MB Memory modules to ensure compatibility.)	161554-B21
128-MB Memory Upgrade	400313-B21
64-MB Memory Upgrade	400312-B21

### Monitors

TFT8020 Flat Panel (carbon)	159244-001
TFT8020 Flat Panel	326100-001
TFT5010 Flat Panel (carbon)	154486-001
TFT5010 Flat Panel	104741-001
P1100 Color	325606-001
P900 Color	386326-001
P700 Color	380207-001
V1100 Color	386472-001
V710 Color	187895-001
S910 Color	138485-001
S710 Color (carbon)	152991-002
S710 Color	152991-001
S510 Color (carbon)	168636-002
S510 Color	168636-001
M710 Color	152991-005
M510 Color	168636-005

**Note:** AssetControl monitor. AssetControl features are accessible with Compaq desktops featuring Intelligent Manageability.

(Certain monitors may not be compatible with the Armada Docking Solutions Monitor Support Stands due to weight.)

### Storage Devices

MultiBay 6-GB SMART II Hard Drive	134095-B21
MultiBay 12-GB SMART II Hard Drive	163531-B25
MultiBay 18-GB SMART Hard Drive	164614-B25
<b>Note:</b> The MultiBay Hard Drives can be used in the primary hard drive bay of the E500.	
MultiBay SuperDisk 2X LS-120	197895-B25
MultiBay 24X Max CD-ROM Drive (Data transfer rates will vary from 150 KB/s to 3,600 KB/s.)	298452-B25
MultiBay 8X DVD-ROM Drive	138230-B25
MultiBay 4X DVD-ROM Drive (Data transfer rates will vary up to 5,520KB/s.)	118103-B25

### PC Cards

Compaq M420 56K Global Modem (Designed only to allow faster downloads from v.90 compliant sources. Maximum achievable download transmission rates currently do not reach 56 KB/s, and will vary with line conditions. Modem only supports Windows 9.x and Windows NT 4.0.)	317900-001
10/100 TX PC Card UTP Controller	335506-B21
10 T PC Card UTP Controller	292806-B21
10 2 PC Card Coax Controller	292807-B21
10/100 TX PC Card UTP Upgrade	292813-B21
16/4 Token Ring PC Card IBM UTP/STP	301208-B21

For additional compatible PC Cards, view the Compaq PC Card Solutions List on the Compaq website at: <http://www.compaq.com/support/techpubs/pcmcia/pccardlist.html>.

## Options

### Communications/Integrated Mini PCI Type II

Compaq 56K (V.90) plus Intel® PRO/100+ Type II Mini PCI Card (NA)	149373-001
---	------------

**Note:** Designed only to allow faster downloads from v.90 compliant sources. Maximum achievable download transmission rates currently do not reach 56 KB/s, and will vary with line conditions. Modem only supports Windows 9.x and Windows NT 4.0.

### Expansion Bases

ArmadaStation EM	383500-001
ArmadaStation EM With Intel NIC	120266-001
ArmadaStation Tower Stand	123129-B25
Convenience Base EM	382500-001
Convenience Base EM With Intel NIC	120971-001
Convenience Base Monitor Cover	122931-001
Port Replicator EM	382300-001
PCI IBM Token Ring Card	133749-B21
PCI Cardbus Reader	127397-B25

**Note:** ArmadaStation Tower Stand not supported on 15" Panel models

### Power

Primary Battery (9-cell) (For Armada E500, can also be used as a second battery in the E500 DualBay.)	146252-B25
MultiBay Battery (6-cell)	387937-B25
External Battery Charger	135555-001
AC Adapter 50W	120765-001
Auto Power Adapter/Charger	401043-B25
Air Adapter	386504-B21
AC Line Cord (10-ft)	217932-002

### Input Devices

External Enhanced III Keyboard (Carbon)	118003-008
Compaq Mouse (Carbon)	103180-B21
Intellimouse (Opal)	294306-B21
10 Key Numeric Keypad (Carbon)	294317-B21

### Invaluable Accessories

Security Lock	294316-B21
Armada Headset with microphone	220460-001
MP1400 Microportable Projector	174626-001
MP1800 Microportable Projector	180226-001

### Security PC card options

Compaq Smart Card PC Card Reader	135646-B25
Fingerprint ID PC Card	146805-B25

### WLAN options

Compaq WL100 11 Mbps Wireless LAN PC Card	146927-001
Compaq WL400 11 Mbps Wireless LAN Hardware Access Point	158603-001

## *Options*

### **Carrying Cases**

---

Compaq Value Case	294266-B21
Compaq Workstation Case	294267-B21
Compaq Global Case	294268-B21
Compaq Executive Case	294269-B21
Compaq Professional Case (nylon)	401366-B21
Compaq Professional Case (leather)	401367-B21

## Memory

### Compaq Armada E500

#### STANDARD MEMORY

64 MB 100 MHz SDRAM installed in 1 slot

Up To	Slot	
	1	2
64 MB	64 MB	Empty

#### STANDARD MEMORY PLUS OPTIONAL MEMORY

Support for up to 320 MB of SDRAM is available with the installation of an optional Memory Upgrade.

Up To	Slot	
	1	2
96 MB	64 MB	32 MB
128 MB	64 MB	64 MB
192 MB	64 MB	128 MB
320 MB	64 MB	256 MB

#### OPTIONAL MEMORY

Support for up to 512 MB of SDRAM memory is available with the removal of the standard 64 MB SDRAM Memory Upgrade and the installation of optional SDRAM Memory Kits.

Up To	Slot	
	1	2
160 MB	128 MB	32 MB
192 MB	128 MB	64 MB
256 MB	128 MB	128 MB
512 MB	256 MB	256 MB

**Note:** Because one memory slot is occupied on these products, the 64 MB SDRAM Memory (which ships standard) must be removed to reach the maximum memory of 512 MB. This chart does not represent all possible memory configurations.

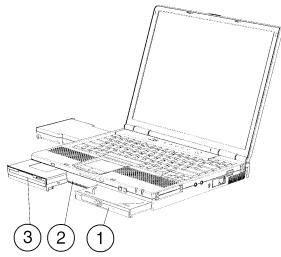
Following are memory options available from Compaq:

- 256-MB 100 MHz Memory Upgrade 161554-B21
- 128-MB 100 MHz Memory Upgrade 400313-B21
- 64-MB 100 MHz Memory Upgrade 400312-B21

(Due to the non-industry standard nature of some third-party 256 MB Memory modules, we strongly recommend using only Compaq branded 256 MB Memory modules to ensure compatibility.)

## Storage

### DRIVE SUPPORT



- 1 MultiBay
- 2 Primary Hard Drive
- 3 DualBay

	Quantity Supported	Drive Bay Supported
<b>Removable Media</b>		
1.44-MB Diskette Drive	1	DualBay
CD-ROM Drive	1	MultiBay
DVD-ROM Drive	1	MultiBay
SuperDisk LS-120	1	MultiBay
<b>Hard Drives</b>		
18-GB SMART Hard Drive	2	Dedicated hard drive bay and MultiBay
12-GB SMART Hard Drive	2	Dedicated hard drive bay and MultiBay
6-GB SMART Hard Drive	2	Dedicated hard drive bay and MultiBay
5-GB SMART Hard Drive	1	Dedicated hard drive bay

## Technical Specifications

### System Unit

#### Dimensions (HxWxD)

15.0" TFT panel models	12.5 x 10.1 x 1.7 in/31.7 x 25.7 x 4.3 cm
14.1" TFT panel models	12.4 x 9.99 x 1.6 in/31.5 x 25.3 x 4.1 cm

#### Weight

15.0" TFT panel and modem models	6.0 to 7.2 lbs/2.73 to 3.27 kg
14.1" TFT panel and modem models	5.9 to 7.0 lbs/2.68 to 3.18 kg
13.3" TFT panel and modem models	5.7 to 6.8 lbs/2.59 to 3.08 kg

#### Stand-Alone Power Requirements

Nominal Operating Voltage (Li-Ion)	10.8V
Average Operating Power	15W avg.
Peak Operating Power	30W peak

#### Power Supply

Rated Input Voltage	90 to 264 VAC (auto-switching)
Rated Input Current	< 60W
Rated Frequency	47 to 63 Hz

#### Temperature

Operating	50° to 95°F/10° to 35°C
Non-operating	-4° to 140°F /-20° to 60°C

#### Relative Humidity (non-condensing)

Operating	10% to 90% relative humidity, non-condensing
Non-operating	5% to 95% relative humidity, 101.6°F/38.7°C Maximum wetbulb temperature

#### Shock

Operating	10 G, 11 ms, half-sine
Non-operating	60 G, 11 ms, half-sine

#### Vibration

Operating	0.5 G zero-to-peak, 10 to 500 Hz, 0.25 oct/min
Non-operating	1.0 G, zero-to-peak, 10 to 500 Hz, 0.5 oct/min

#### Maximum Altitude (unpressurized)

Operating	0 to 10,000 ft/(0 to 3048 m)
Non-operating	0 to 30,000 ft/(0 to 9144 m)

### 15.0-Inch Color TFT XGA Display

#### Viewable Dimensions (HxW)

11.97 x 8.98 in / 304.1 x 228.1 mm)

#### Diagonal Size

15.0 in / 380.1 mm)

#### Number of Colors

Up to 16.8M

#### Contrast Ratio

150:1

#### Brightness

130 nit min, 150 nit typ

#### Pixel Resolution

Pitch	0.297 x 0.297 mm
Format	1024 x 768
Configuration	RGB stripe

#### Backlight

Edge Lit

#### Total Power Consumption

4.5W

## *Technical Specification*

### 14.1-Inch Color TFT XGA Display

<b>Viewable Dimensions (HxW)</b>	11.22 x 8.46 in/28.5 x 21.5 cm
<b>Diagonal Size</b>	14.1 in/35.81 cm
<b>Number of Colors</b>	Up to 16.8M
<b>Contrast Ratio</b>	150:1
<b>Brightness</b>	120nt min, 150nt typ
<b>Pixel Resolution</b>	
Pitch	0.264 x 0.264 mm
Format	1024 x 768
Configuration	RGB stripe
<b>Backlight</b>	Edge Lit
<b>Total Power Consumption</b>	4.2W

---

### 13.3-Inch Color TFT XGA Display

<b>Viewable Dimensions (HxW)</b>	9.7 x 10.6 in/20.1 x 26.9 cm
<b>Diagonal Size</b>	13.3 in/33.8 cm
<b>Number of Colors</b>	Up to 16.8M
<b>Contrast Ratio</b>	Minimum 100:1
<b>Brightness</b>	120nt min, 150nt typ
<b>Pixel Resolution</b>	
Pitch	0.264 x 0.264 mm
Format	1024 x 768
Configuration	RGB stripe
<b>Backlight</b>	Edge Lit
<b>Total Power Consumption</b>	4.1W

---



## Technical Specifications

### Hard Drives

<b>12 GB</b>	<b>Capacity</b>	12 GB	<b>Seek Time</b> (typical reads, including settling)	
	<b>Height</b>	0.5 in/12.5 mm	Single Track	3 ms
	<b>Width</b>	2.75 in/70 mm	Average	13 ms
	<b>Interface</b>	ATA	Max	24 ms
	<b>Transfer Rate</b>		Rotational Speed	4,200 rpm
	Synchronous (Maximum)	33.3 MB/s	<b>Logical Configuration</b>	
			Bytes/sector	512
	<b>Security</b>	SMART&DriveLock	Logical Blocks	~ 23,579,136

<b>6 GB</b>	<b>Capacity</b>	6 GB	<b>Seek Time</b> (typical reads, including settling)	
	<b>Height</b>	0.4 in/9.5 mm	Single Track	4 ms
	<b>Width</b>	2.75 in/70 mm	Average	13 ms
	<b>Interface</b>	ATA	Max	24 ms
	<b>Transfer Rate</b>		Rotational Speed	4,200 rpm
	Synchronous (Maximum)	33.3 MB/s	<b>Logical Configuration</b>	
			Bytes/sector	512
	<b>Security</b>	SMART&DriveLock	Logical Blocks	~ 11,732,421

<b>5 GB</b>	<b>Capacity</b>	5 GB	<b>Seek Time</b> (typical reads, including settling)	
	<b>Height</b>	0.4 in/9.5 mm	Single Track	4 ms
	<b>Width</b>	2.75 in/70 mm	Average	12 ms
	<b>Interface</b>	ATA	Max	24 ms
	<b>Transfer Rate</b>		Rotational Speed	4,200 rpm
	Synchronous (Maximum)	33.3 MB/s	<b>Physical Configuration</b>	
			Bytes/sector	512
	<b>Security</b>	SMART& DriveLock	Logical Blocks	~ 10,009,440

### Diskette Drive

<b>Diskette Size</b>	3.5 in
<b>Light</b>	On system
<b>Height</b>	0.5 in/12.7 mm
<b>Bytes per Sector</b>	512
<b>Sectors per track</b>	
High density	18 (1.44 MB)/15 (1.2 MB)
Low density	9
<b>Tracks per side</b>	
High density	80 (1.44 MB)/80 (1.2 MB)
Low density	80
<b>Read/Write heads</b>	2
<b>Access Times</b>	
Track-to track (high/low)	3 ms/6 ms
Average (high/low)	94 ms/174 ms
Settling time	15 ms
Latency average	100 ms

## Technical Specification

### External AC Adapter

<b>Dimensions (HxWxL)</b>	1.15 x 2.375 x 1.4in/2.92 x 6.03 x 3.6 cm
<b>Weight</b>	0.66 lb/0.3 kg
<b>Power Supply (Input)</b>	
Operating Voltage	90 to 260 VAC RMS
Operating Current	1.1 A RMS
Operating Frequency Range	47 to 63 Hz AC
Maximum Transient	4/50 kV

---

### Li-Ion Battery Pack (9-cell)

<b>Dimensions (HxWxL)</b>	0.84 x 3.8 x 5.6 in/2.1 x 9.5 x 14.2 cm
<b>Weight</b>	1.0 Lb/0.455 kg
<b>Energy</b>	
Voltage	10.8 V
Amp-hour capacity	4.8 Ah
Watt-hour capacity	52 Wh
<b>Temperature</b>	
Operating	50° to 95°F/10° to 35°C
Non-operating	-12° to 140°F/-25° to 60°C

---

### Li-Ion Battery Pack (6-cell)

<b>Dimensions (HxWxL)</b>	0.84 x 3.8 x 5.6 in/2.1 x 9.5 x 14.2 cm
<b>Weight</b>	0.7 lb/0.303 kg
<b>Energy</b>	
Voltage	10.8 V
Amp-hour capacity	3.2 Ah
Watt-hour capacity	34 Wh
<b>Temperature</b>	
Operating	50° to 95°F/10° to 35°C
Non-operating	-12° to 140°F/-25° to 60°C

---

## Technical Specifications

Compaq 56K (V.90) plus  
Intel PRO/100+ Mini PCI

<b>Form Factor</b>	Mini-PCI Type 1B and 2B per Specification
<b>OS Support</b> (with all released Service Packs)	Windows 95 (OSR2.x), Windows 98 (Gold, SE) Windows NT4.0, Windows 2000, DOS Application Support under Windows
<b>Power Management Support</b>	APM Revision 1.2, ACPI, Compaq Power Management Extensions for Windows NT
<b>Approvals/Certifications</b>	UL, CSA, NEMKO, CCIB, Industry Canada, FCC Part 68, CTR21, FCC Part 15 Class B, Canadian ICES-003 Class B, C.I.S.P.R.22, Australian ACA, CE Mark, Other Countries
<b>Modem Device Driver Name</b>	Compaq 56K (V.90) Mini PCI
<b>Data Mode Capabilities</b>	V.90 (a-law, mu-law) K56flex (a-law, mu-law) V.8bis V.80 V42.bis, MNP5 (Compression) V.42 (LAPM, MNP2-4) (Error Correction) V.34 (file date: 10/96) Optional symbol rates: 2800, 3429 Asymmetric Symbol rates Synchronous primary channel data signaling rates: 3600, 31200 Automatic rate re-negotiation V.32bis V.32 V.23 V.22bis V.22 V.21 Bell 212A Bell 103J
<b>Fax Mode Capabilities</b>	TIA-578-S (Class 1) T.30, T.4 (Group 3) V.17 V.29 V.27ter V.21 Channel 2
<b>Command Set</b>	V.250 (Partial) TIA-602 Identification: +GMI, +GMM, +GMR Port control: +IPR, +ICF, +IFC, +IIR Modulation: +MS, +MR, +MA Error control: +ES, +ER, +EB, +ESR, +ETBM Data compression: +DS, +DR V.251

## Technical Specification

Compaq 56K (v.90) plus  
Intel PRO/100+ Mini PCI  
(cont.)

<b>Ethernet Features</b>	10 Mbps Ethernet: IEEE 802.3 standard 10Base T 100 Mbps Ethernet: IEEE 802.3u standard 100Base TX Full Duplex at 10 and 100Mbps Auto-Negotiation Wake on LAN from all power managed states, including soft off (S5) Boot on LAN from OFF Lower Power State on Link Loss
<b>Data Link Layers</b>	IEEE 802.2 LLC SNAP
<b>Software support</b>	Artisoft Lantastic 7.0, 8.0, Dedicated Server 1.1 Banyan 7.x, 8.5x IBM LAN Server Version 1.2, 1.3, 2.0, 4.0 Microsoft NT 3.51, NT 4.0. Windows 2000 Novell Netware 3.1x, 4.x, 5.x
<b>Protocol support</b>	TCP/IP Novell IPX/SPX and Microsoft compatible Novel IPX ODI Microsoft NetBEUI Sun Microsystems PC-NFS Banyan Vines Ethernet IBM DLC

24X Max CD-ROM Drive

<b>Applicable Disc</b>	CD-ROM (Mode 1, 2 and 3), CD-XA ready (Mode 2, Form 1 and 2), CD-I ready (Mode 2, Form 1 and 2), CD-R (read only), CD Plus, Photo CD (Single and Multi-session), CD-Extra, Video CD, CD-WO (fixed packets only), CD-Bridge
<b>Center Hole Diameter</b>	0.59 in/15 mm
<b>Disc Diameter</b>	12 cm, 8 cm
<b>Disc Thickness</b>	1.2 mm
<b>Track Pitch</b>	1.6 µm
<b>Access Times</b> (typical reads, including settling)	
Random	< 150 ms
Full-Stroke	< 300 ms
<b>Cache Buffer</b>	128 KB
<b>Data Transfer Rate</b> (typical, including settling)	
Sustained (16X)	2400 KB/s (150 KB/s at 1X)
Variable	1,500 to 3,600 KB/s (10X to 24X)
Normal PIO Mode 4 (single burst)	16.66 MB/s
<b>Start-up Time</b>	< 8 sec
<b>Stop Time</b>	<4 sec

## *Technical Specifications*

### 8X Max DVD-ROM Drive

<b>Center Hole Diameter</b>	0.59 in/0.39 cm
<b>Disc Diameter</b>	12 cm/8 cm
<b>Disc Thickness</b>	1.2 mm
<b>Track Pitch</b>	0.74 $\mu$ m
<b>Access Times</b> (typical reads, including settling)	
Random (typical)	<180 ms DVD Media
Full-Stroke (typical)	<300 ms DVD Media
Random (typical)	<120 ms CD Media
Full-Stroke (typical)	<200 ms CD Media
<b>Cache Buffer</b>	128 KB/s (minimum)
<b>Data Transfer Rate</b> (typical, including settling)	
Max 24X CD	3600 KB/s (150 KB/s at 1X CD rate)
Max 8X DVD	10,800 KB/s (1352 KB/s at 1X DVD rate)
Normal PIO Mode 4 (single burst)	16.6 MB/s
<b>Start Time</b>	<15 sec
<b>Stop Time</b>	<6 sec

### 4X Max DVD-ROM Drive

<b>Center Hole Diameter</b>	0.59 in/0.39 cm
<b>Disc Diameter</b>	12 cm/8 cm
<b>Disc Thickness</b>	1.2 mm
<b>Track Pitch</b>	0.74 $\mu$ m
<b>Access Times</b> (typical reads, including settling)	
Random	<150 ms
Full-Stroke	<225 ms
<b>Cache Buffer</b>	128 KB/s (minimum)
<b>Data Transfer Rate</b> (typical, including settling)	
Sustained (16X CD rate)	2400 KB/s (150 KB/s at 1X CD rate)
Sustained 4X DVD	5,520 KB/s (1380 KB/s at 1X DVD rate)
Normal PIO Mode 4 (single burst)	16.6 MB/s
<b>Start Time</b>	<15 sec
<b>Stop Time</b>	<6 sec